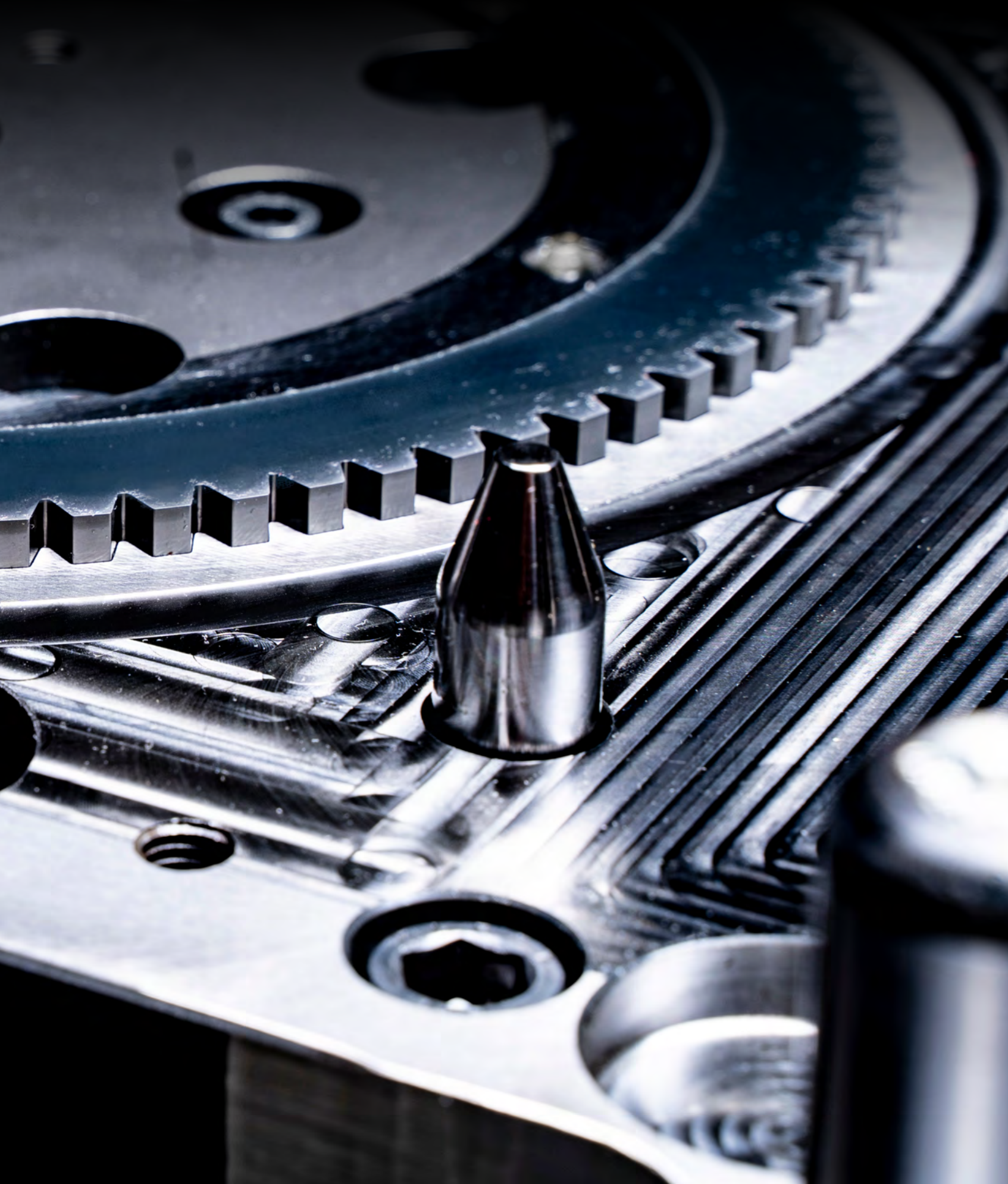
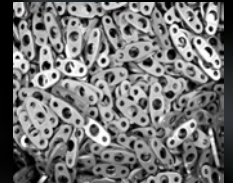
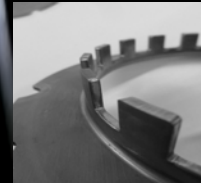
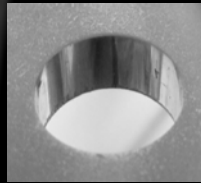
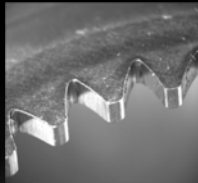
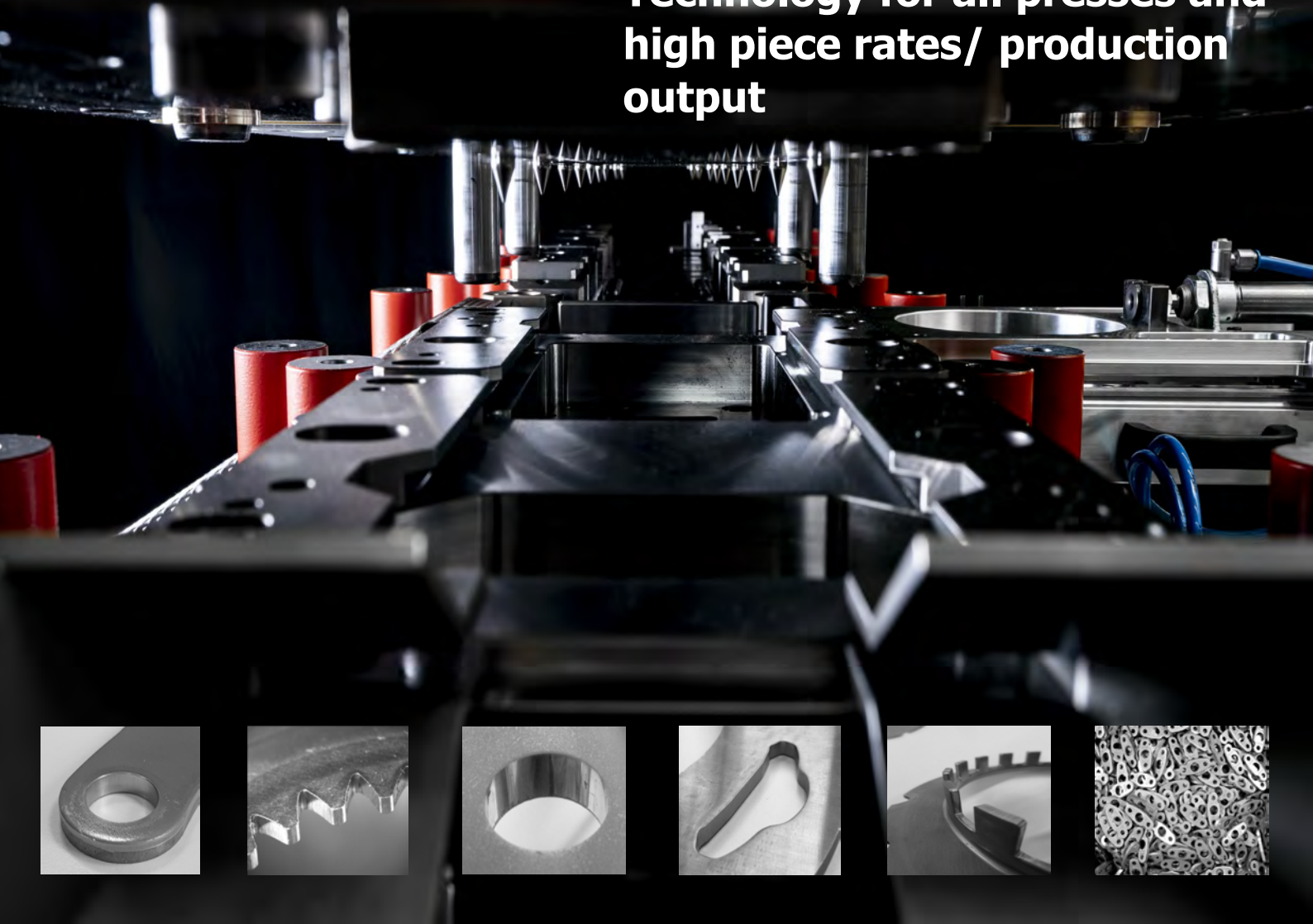


**Fine-Blanking-Tools and
part production**

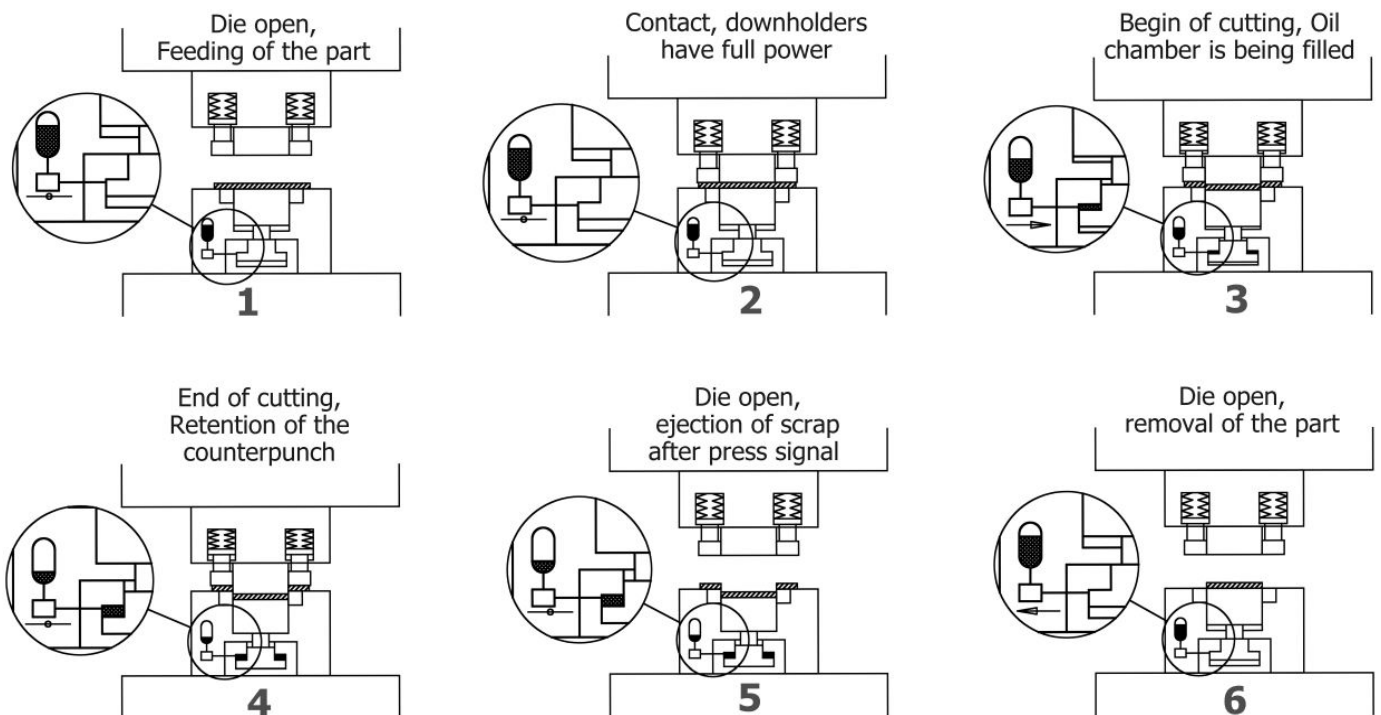


Patented Fine-Blanking-Technology for all presses and high piece rates/ production output

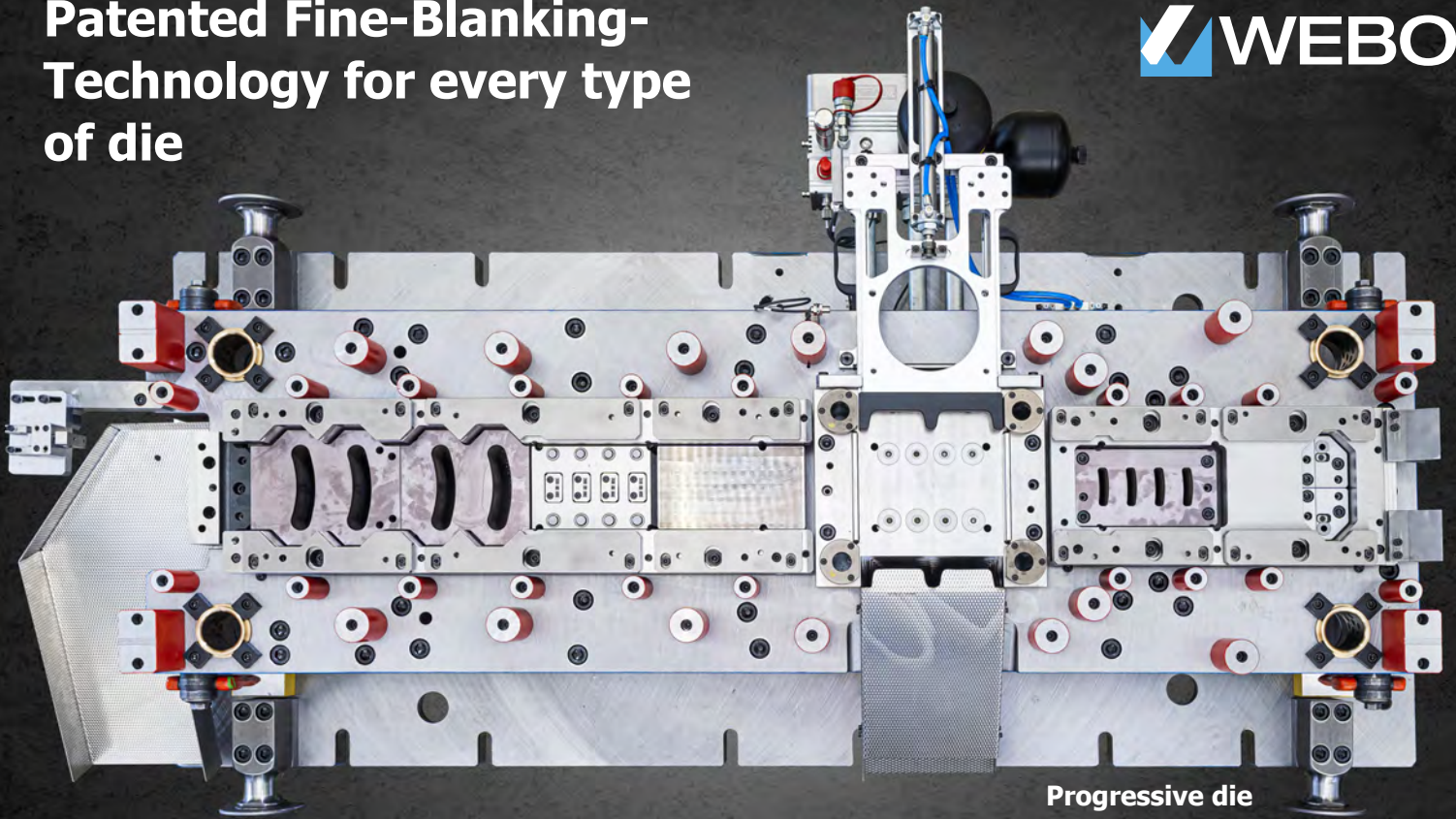


Function WEBO Fine Blanking Pad (FSP)

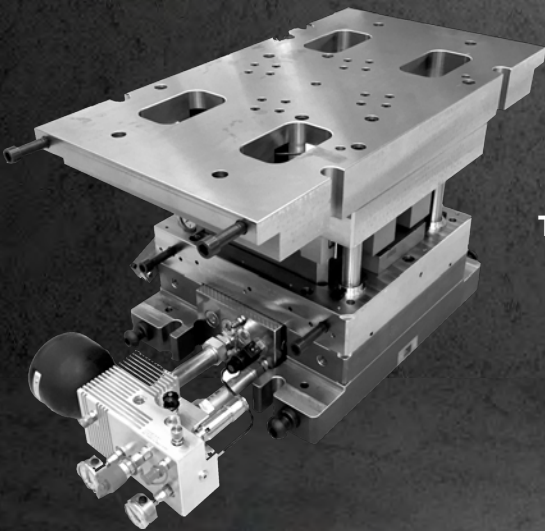
Klick Animation



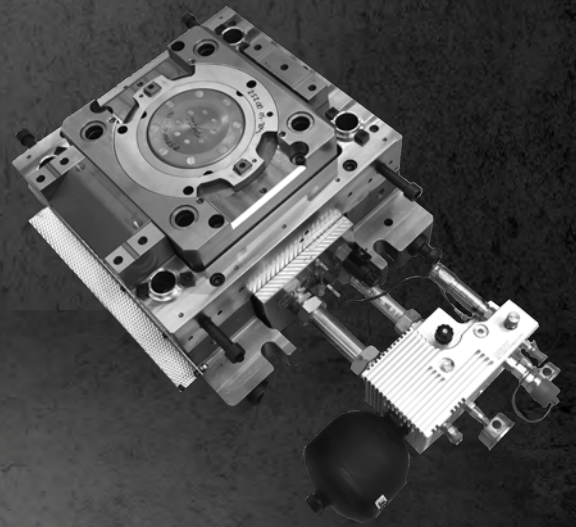
Patented Fine-Blanking- Technology for every type of die



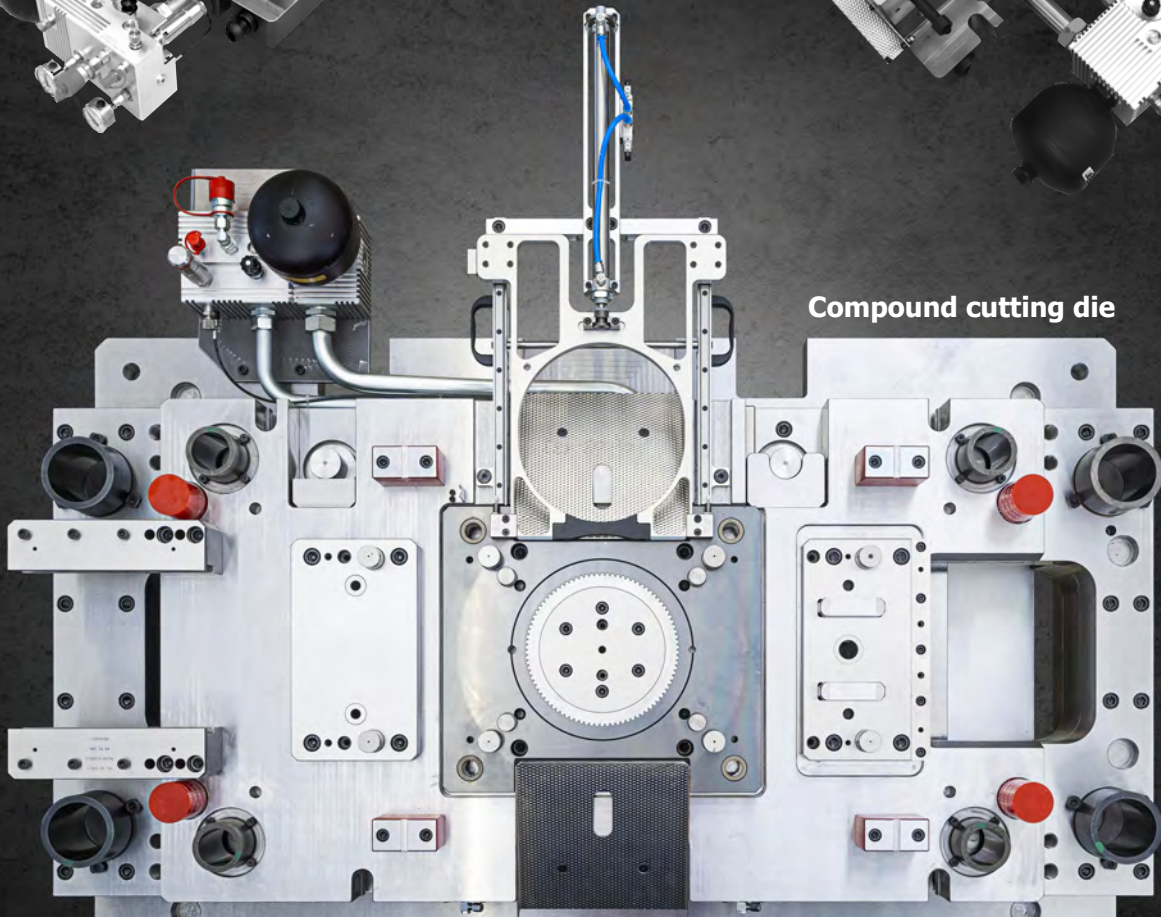
Progressive die



Transfer die



Compound cutting die



WEBO produces for you fine-blanking tools, fine-blanking prototypes and also offers parts production for your specific application.

Highest precision and tolerances as well as fine cutting of large components with tool lengths of over 2000 mm and sheet thickness up to 10 mm are an expelled competence of our company.

Fine-blanked, deburred, surface grinding, washed, assembled or coated - you choose - we supply quality.

Contact us!



**WEBO GmbH
Hummelau 5 88279 Amtzell Germany**

**Phone +49 7520 914 95-0
Fax +49 7520 914 95-69**

**info@webo.de.com
www.webo.de.com**